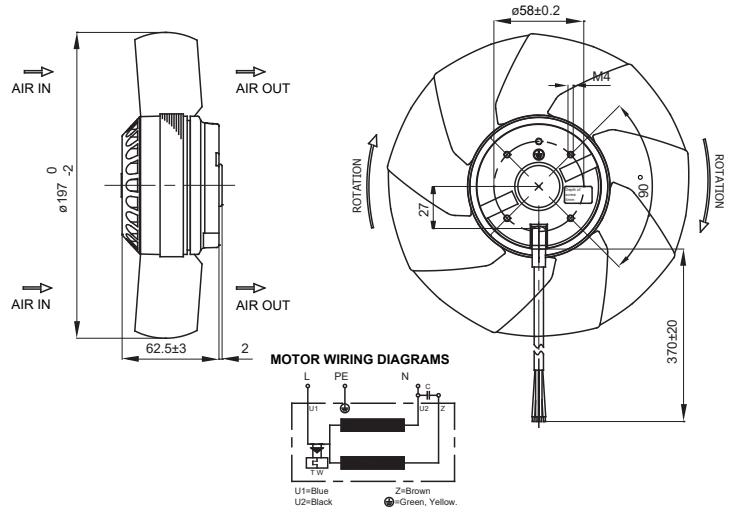


External Rotor Fan-Axial Fan

UF200BMB-E Series



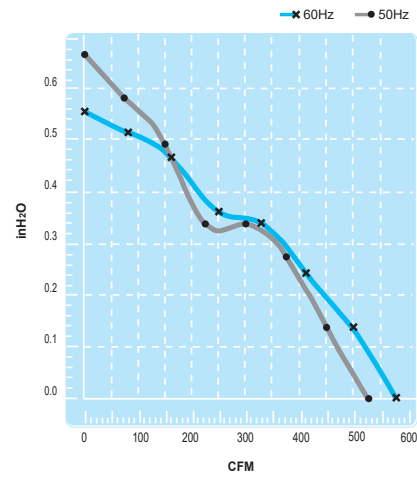
Size : ϕ 197 x 62.5
Unit : mm



Thermally-Protected

Lead Wire Type

(Axial Fan)



Standard



Spec.	Rated Voltage	Frequency	Input Power	Rated Current	Locked Current	Speed	Maximum Air Flow	Maximum Air Flow	Maximum Pressure	Maximum Pressure	Capacitor	Noise	Weight
Model	V	Hz	W	A	A	RPM	m ³ /min.	CFM	mmH ₂ O	InchH ₂ O	μ F/VDB	dB	kg
UF200BMB11H1C2E	115	50	65	0.58	0.99	2550	15	530	17	0.67	5/250	59	1.4
		60	72	0.70	0.99	2800	17	600	14	0.55		61	
UF200BMB23H1C2E	230	50	74	0.29	0.50	2550	15	530	17	0.67	1.5/450	59	1.4
		60	80	0.35	0.50	2800	17	600	14	0.55		61	