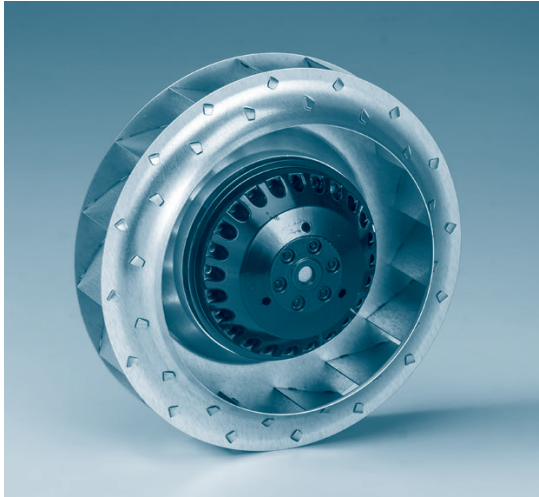
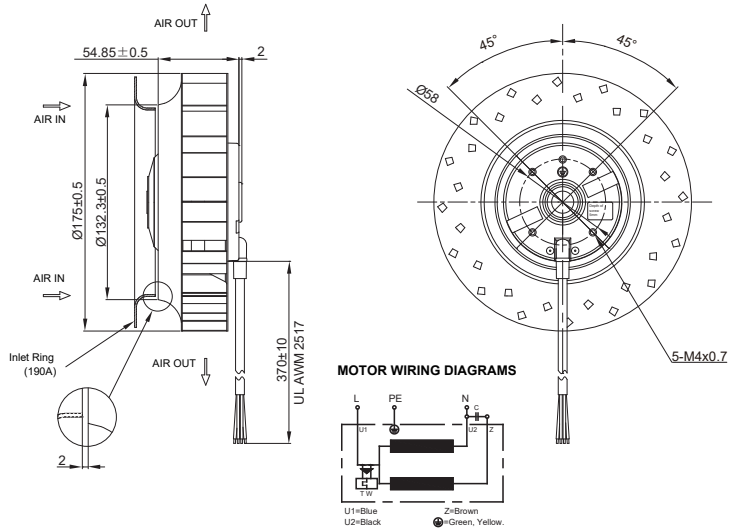


# External Rotor Fan-Centrifugal Fan

## UF175AMA Series



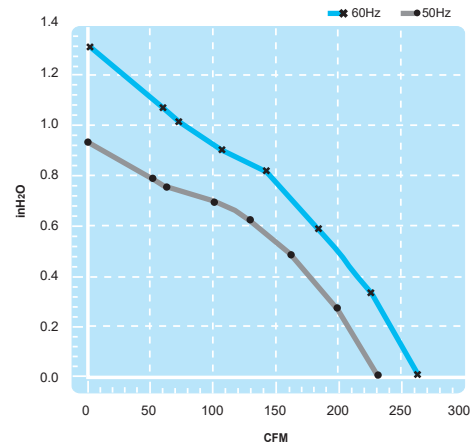
Size :  $\varnothing$  175 x 54.85  
Unit : mm



**Thermally-Protected**

**Lead Wire Type**

**(Centrifugal Fan)**



**Standard**



Spec.	Rated Voltage	Frequency	Input Power	Rated Current	Locked Current	Speed	Maximum Air Flow	Maximum Air Flow	Maximum Pressure	Maximum Pressure	Capacitor	Noise	Weight
Model	V	Hz	W	A	A	RPM	m <sup>3</sup> /min.	CFM	mmH <sub>2</sub> O	InchH <sub>2</sub> O	μ F/VDB	dB	kg
UF175AMA11H1C2A	115	50	60	0.48	0.76	2550	7.2	253	23	0.9	6/250	66	1.3
		60	66	0.51	0.78	2900	8.0	284	33	1.3		70	
UF175AMA23H1C2A	230	50	60	0.24	0.37	2550	6.9	244	23	0.9	1.5/450	66	1.3
		60	66	0.26	0.38	2900	7.8	274	33	1.3		70	

**OGAYA**

Your Air Quality, Our Responsibility  
**OGAYA FILTER CO., LTD**



www.ogaya.com.tw



014