

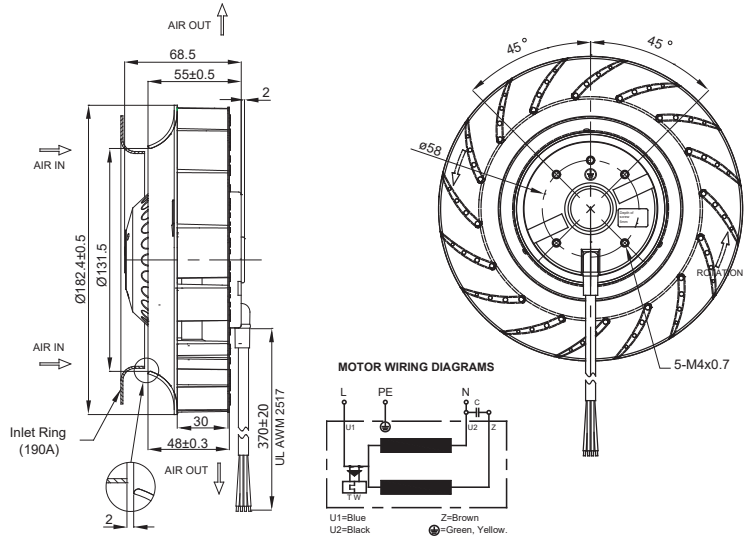
# External Rotor Fan-Centrifugal Fan

## UF180(55)APA Series



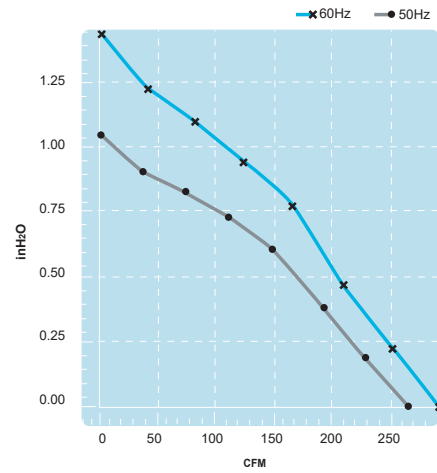
Size :  $\phi$  182.4 x 68.5  
Unit : mm

**Thermally-Protected**



**Lead Wire Type**

**(Centrifugal Fan)**



**Standard**



Spec. Model	Rated Voltage V	Frequency Hz	Input Power W	Rated Current A	Locked Current A	Speed RPM	Maximum Air Flow m <sup>3</sup> /min.	Maximum Air Flow CFM	Maximum Pressure mmH <sub>2</sub> O	Maximum Pressure InchH <sub>2</sub> O	Capacitor $\mu$ F/VDB	Noise dB	Weight kg
UF180(55)APA 11H2C2A	115	50	63	0.60	0.92	2550	7.5	265	26	1.0	10/250	64	1.2
		60	78	0.70	0.95	2800	8.3	290	36	1.4		67	
UF180(55)APA 23H2C2A	230	50	63	0.30	0.46	2550	7.5	265	26	1.0	2/450	64	1.2
		60	78	0.34	0.48	2800	8.3	290	36	1.4		67	

