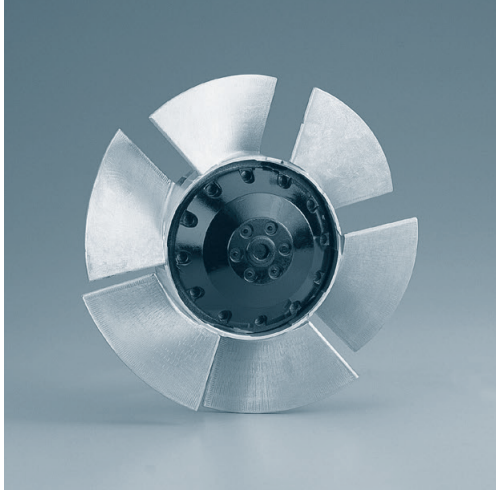
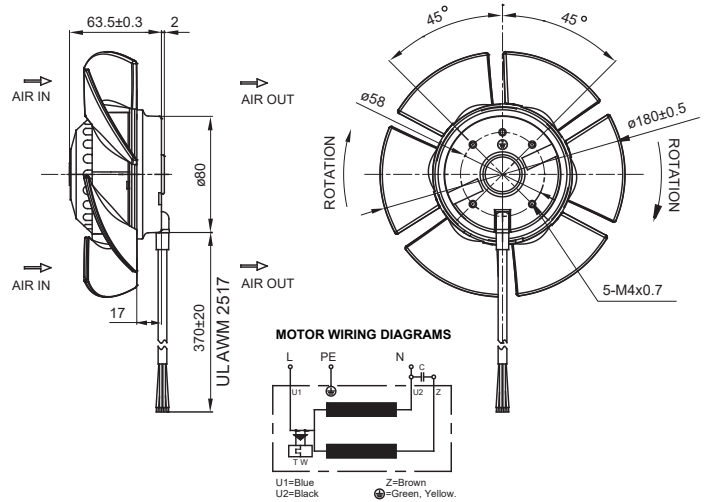


External Rotor Fan-Axial Fan

UF180BAB Series



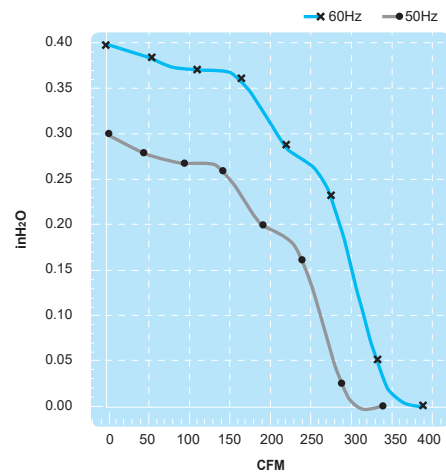
Size : ϕ 180 x 63.5
Unit : mm



Thermally-Protected

Lead Wire Type

(Axial Fan)



Standard



Spec.	Rated Voltage	Frequency	Input Power	Rated Current	Locked Current	Speed	Maximum Air Flow	Maximum Air Flow	Maximum Pressure	Maximum Pressure	Capacitor	Noise	Weight
Model	V	Hz	W	A	A	RPM	m ³ /min.	CFM	mmH ₂ O	InchH ₂ O	μ F/VDB	dB	kg
UF180BAB11H1C2A	115	50	76	0.70	1.23	2750	9.50	335	7.50	0.3	10/250	62	1.2
		60	75	0.71	1.23	3100	11.0	388	10.0	0.4		65	
UF180BAB23H1C2A	230	50	76	0.35	0.54	2750	9.50	335	7.50	0.3	2/450	62	1.2
		60	75	0.40	0.54	3100	11.0	388	10.0	0.4		65	