

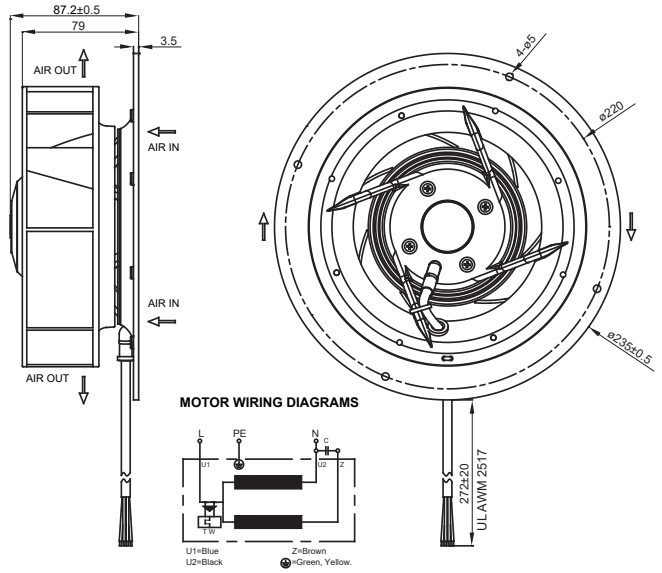
External Rotor Fan-Centrifugal Fan

UF190APA-F Series



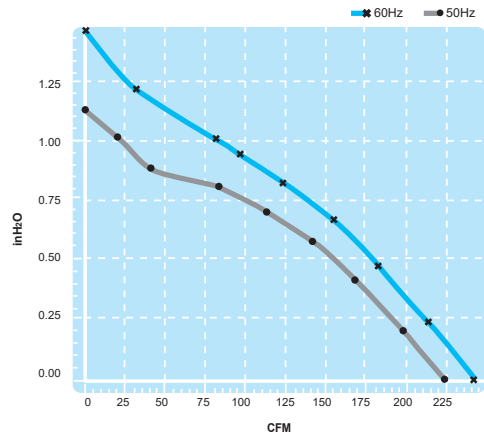
Size : ϕ 235 x 87.2
Unit : mm

Thermally-Protected



Lead Wire Type

(Centrifugal Fan)



Standard



Spec.	Rated Voltage	Frequency	Input Power	Rated Current	Locked Current	Speed	Maximum Air Flow	Maximum Air Flow	Maximum Pressure	Maximum Pressure	Capacitor	Noise	Weight
Model	V	Hz	W	A	A	RPM	m ³ /min.	CFM	mmH ₂ O	InchH ₂ O	μ F/DB	dB	kg
UF190APA11H1C2F	115	50	55	0.45	0.92	2500	6.5	230	29	1.1	6/250	60	1.5
		60	65	0.54	0.91	2700	7.0	247	38	1.5		63	
UF190APA23H1C2F	230	50	57	0.23	0.43	2500	6.5	230	29	1.1	2/450	60	1.5
		60	72	0.30	0.45	2700	7.0	247	38	1.5		63	