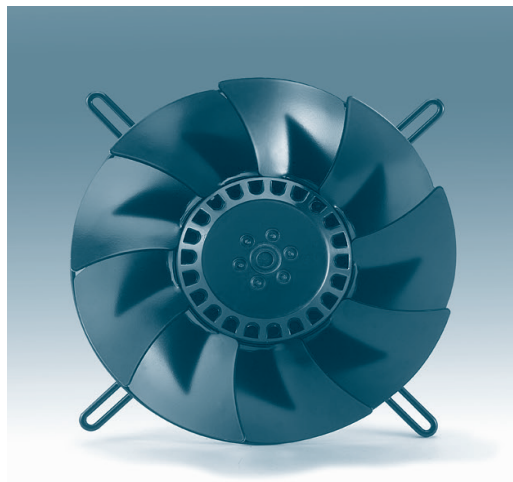
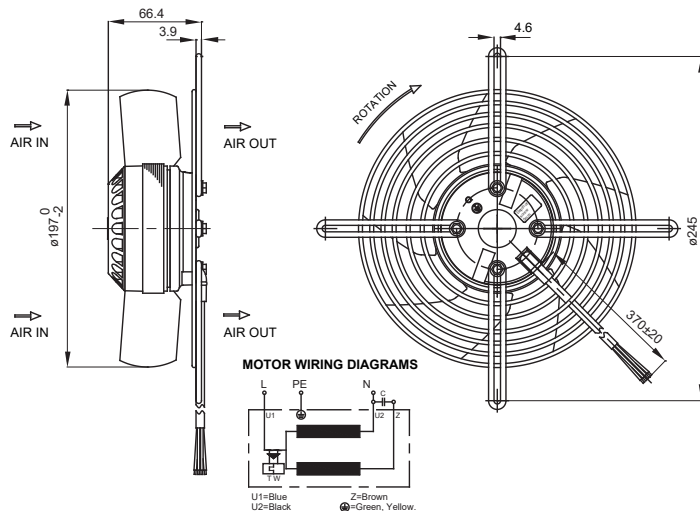


External Rotor Fan-Axial Fan

UF200BMB-B Series



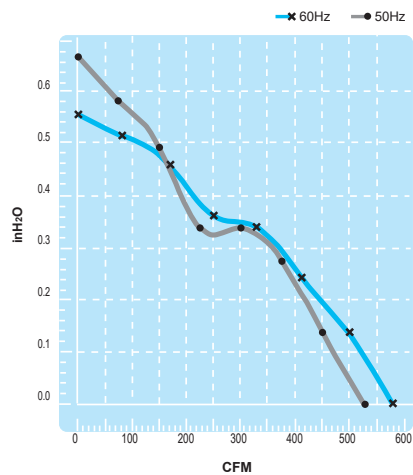
Size : ϕ 245 x 66.4
Unit : mm



Thermally-Protected

Lead Wire Type

(Axial Fan)



Standard



Spec. Model	Rated Voltage V	Frequency Hz	Input Power W	Rated Current A	Locked Current A	Speed RPM	Maximum Air Flow m ³ /min.	Maximum Air Flow CFM	Maximum Pressure mmH ₂ O	Maximum Pressure InchH ₂ O	Capacitor μ F/VDB	Noise dB	Weight kg
UF200BMB11H1C2B	115	50	65	0.58	0.99	2550	15	530	17	0.67	5/250	59	1.4
		60	72	0.70	0.99	2800	17	600	14	0.55		61	
UF200BMB23H1C2B	230	50	74	0.29	0.50	2550	15	530	17	0.67	1.5/450	59	1.4
		60	80	0.35	0.50	2800	17	600	14	0.55		61	

OGAYA

Your Air Quality, Our Responsibility
OGAYA FILTER CO., LTD



www.ogaya.com.tw



Intertek



UKAS
MANAGEMENT SYSTEMS