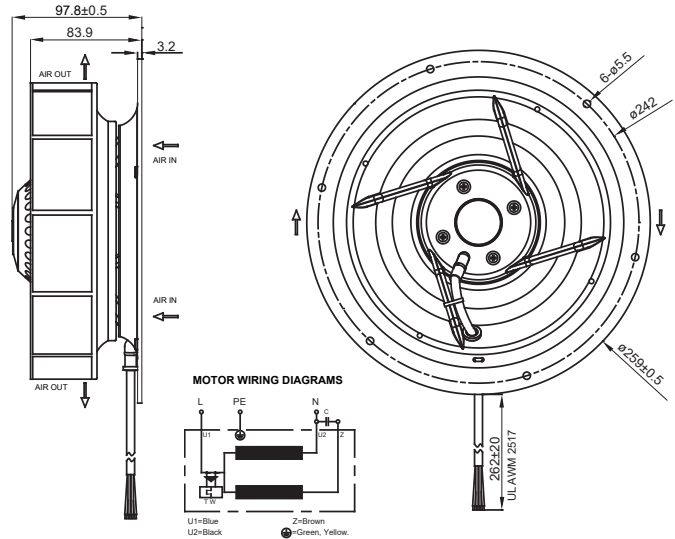


# External Rotor Fan-Centrifugal Fan

## UF220APA-F Series



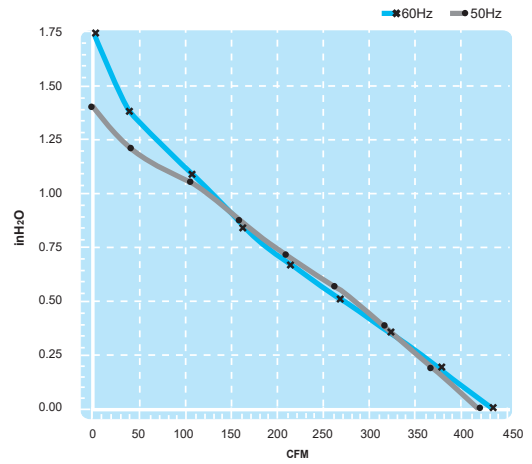
Size :  $\phi$  259 x 97.8  
Unit : mm



**Thermally-Protected**

**Lead Wire Type**

**(Centrifugal Fan)**



**Standard**



Spec.	Rated Voltage	Frequency	Input Power	Rated Current	Locked Current	Speed	Maximum Air Flow	Maximum Air Flow	Maximum Pressure	Maximum Pressure	Capacitor	Noise	Weight
Model	V	Hz	W	A	A	RPM	m <sup>3</sup> /min.	CFM	mmH <sub>2</sub> O	InchH <sub>2</sub> O	$\mu$ F/VDB	dB	kg
UF220APA11H2C2F	115	50	90	0.63	0.88	2500	12.0	424	36	1.4	10/250	64	1.9
		60	117	0.80	0.93	2650	12.3	434	45	1.8		65	
UF220APA23H2C2F	230	50	90	0.35	0.47	2500	12.0	424	36	1.4	2/450	64	1.9
		60	117	0.39	0.49	2650	12.3	434	45	1.8		65	