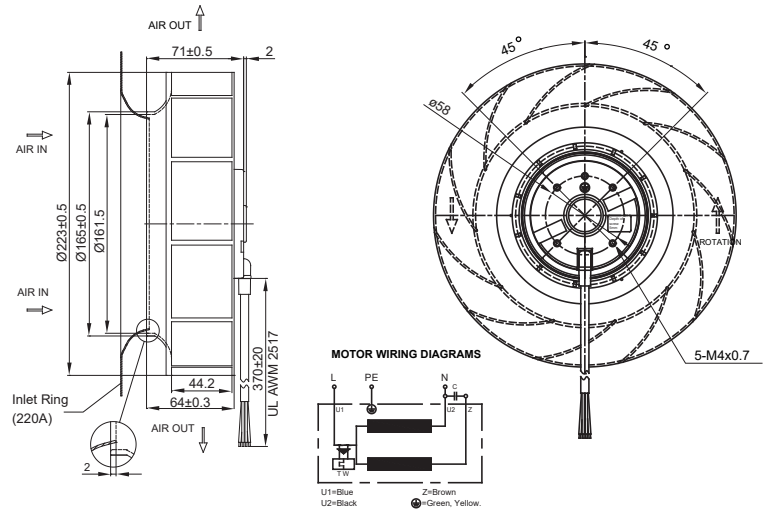


External Rotor Fan-Centrifugal Fan

UF220APA Series



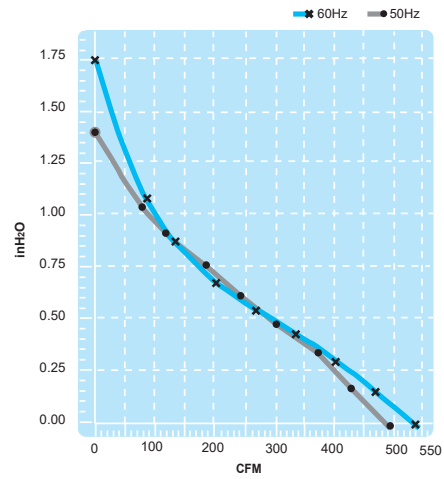
Size : ϕ 223 x 71
Unit : mm



Thermally-Protected

Lead Wire Type

(Centrifugal Fan)



Standard



Spec.	Rated Voltage	Frequency	Input Power	Rated Current	Locked Current	Speed	Maximum Air Flow	Maximum Air Flow	Maximum Pressure	Maximum Pressure	Capacitor	Noise	Weight
Model	V	Hz	W	A	A	RPM	m ³ /min.	CFM	mmH ₂ O	InchH ₂ O	μ F/VDB	dB	kg
UF220APA11H2C2A	115	50	90	0.63	0.88	2500	14	500	35	1.4	10/250	65	1.5
		60	117	0.80	0.93	2650	15	530	38	1.7		70	
UF220APA23H2C2A	230	50	90	0.35	0.47	2500	14	500	35	1.4	2/450	65	1.5
		60	117	0.39	0.49	2650	15	530	38	1.7		70	

