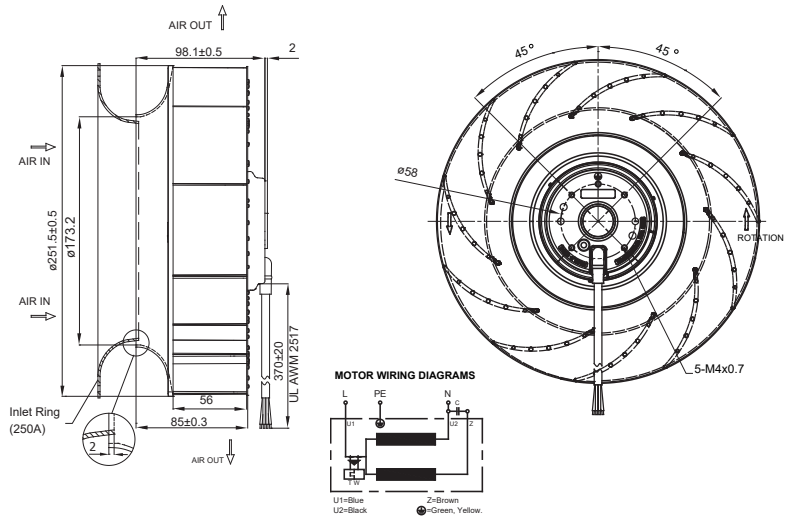


# External Rotor Fan-Centrifugal Fan

## UF250APA Series



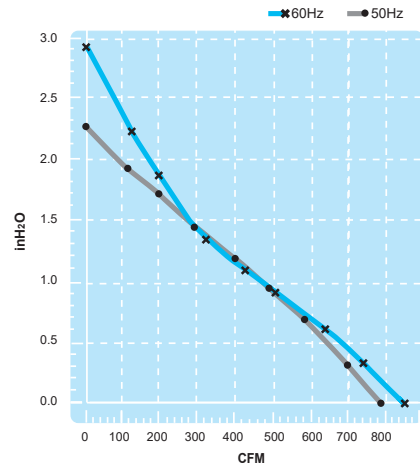
Size :  $\phi$  251.5 x 98.1  
Unit : mm



**Thermally-Protected**

**Lead Wire Type**

**(Centrifugal Fan)**



### Standard



| Spec.           | Rated Voltage | Frequency | Input Power | Rated Current | Locked Current | Speed | Maximum Air Flow     | Maximum Air Flow | Maximum Pressure   | Maximum Pressure     | Capacitor   | Noise | Weight |
|-----------------|---------------|-----------|-------------|---------------|----------------|-------|----------------------|------------------|--------------------|----------------------|-------------|-------|--------|
| Model           | V             | Hz        | W           | A             | A              | RPM   | m <sup>3</sup> /min. | CFM              | mmH <sub>2</sub> O | InchH <sub>2</sub> O | $\mu$ F/VDB | dB    | kg     |
| UF250APA11H1C2A | 115           | 50        | 170         | 1.50          | 3.10           | 2600  | 22                   | 770              | 56                 | 2.2                  | 20/250      | 75    | 3.1    |
|                 |               | 60        | 240         | 2.10          | 3.00           | 2700  | 24                   | 850              | 74                 | 2.9                  |             | 76    |        |
| UF250APA23H1C2A | 230           | 50        | 170         | 0.77          | 1.57           | 2600  | 22                   | 770              | 56                 | 2.2                  | 5/450       | 75    | 3.1    |
|                 |               | 60        | 240         | 1.00          | 1.52           | 2700  | 24                   | 850              | 74                 | 2.9                  |             | 76    |        |